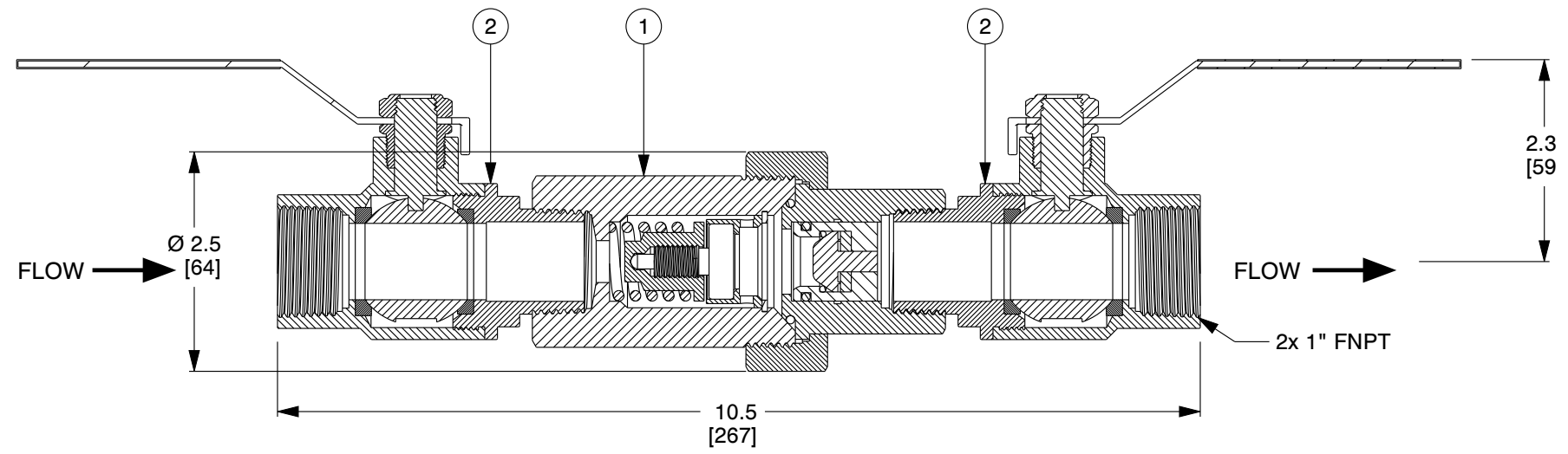
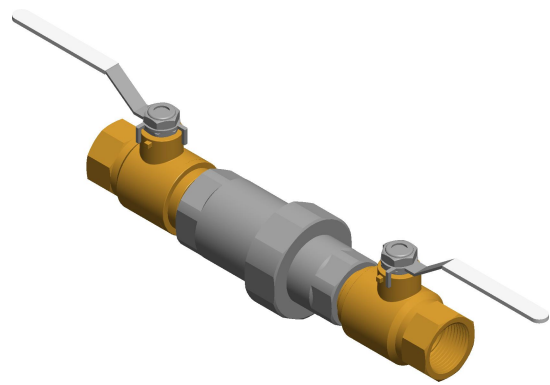


ITEM	PART NUMBER	DESCRIPTION
1	258-40X100-XXX	1" CIRCUITSOLVER THERMOSTATIC BALANCING VALVE WITH INTEGRATED UNION
2	92-170 (QTY-2)	BALL VALVE, 1" MxF, LF



- NOTES:**
1. Cv: OPEN: 3.3, CLOSED: 0.2, DESIGN: 1.57.
 2. WEIGHT: 5.4 Lbs (2.5 Kg).
 3. MAXIMUM WORKING PRESSURE: 200 PSIG (14 BAR).
 4. MAXIMUM WORKING TEMPERATURE: 250°F (121°C).
 5. NSF-61 CERTIFIED FOR USE IN ALL DOMESTIC WATER SYSTEMS.

COMPONENT	CircuitSolver Union Assembly (CSUA)
------------------	-------------------------------------

ThermOmegaTech
 ThermOmegaTech, Inc.
 353 Ivyland Road
 Warminster, PA 18974-2205, USA
 Ph: 215-798-5978

This file and any associated information and specifications are provided for reference and evaluation purposes only, and is subject to change without notice. ThermOmegaTech makes no representations, warranties or guarantees as to the appropriateness, accuracy, completeness, or suitability for any purpose, of the file, information or specifications. You are solely responsible for the use of the file, information or specifications.

This drawing is the property of ThermOmegaTech. It contains confidential, proprietary information that is ThermOmegaTech property. Do not disclose to or duplicate for others except as authorized by ThermOmegaTech.

SCALE	NTS
--------------	-----

CSUA-1-XXX-CV1

1" - CSUA

UNIT	INCH [MM]
SHEET	1 of 1

4 3 2 1

B

B

A

A

4 3 2 1