

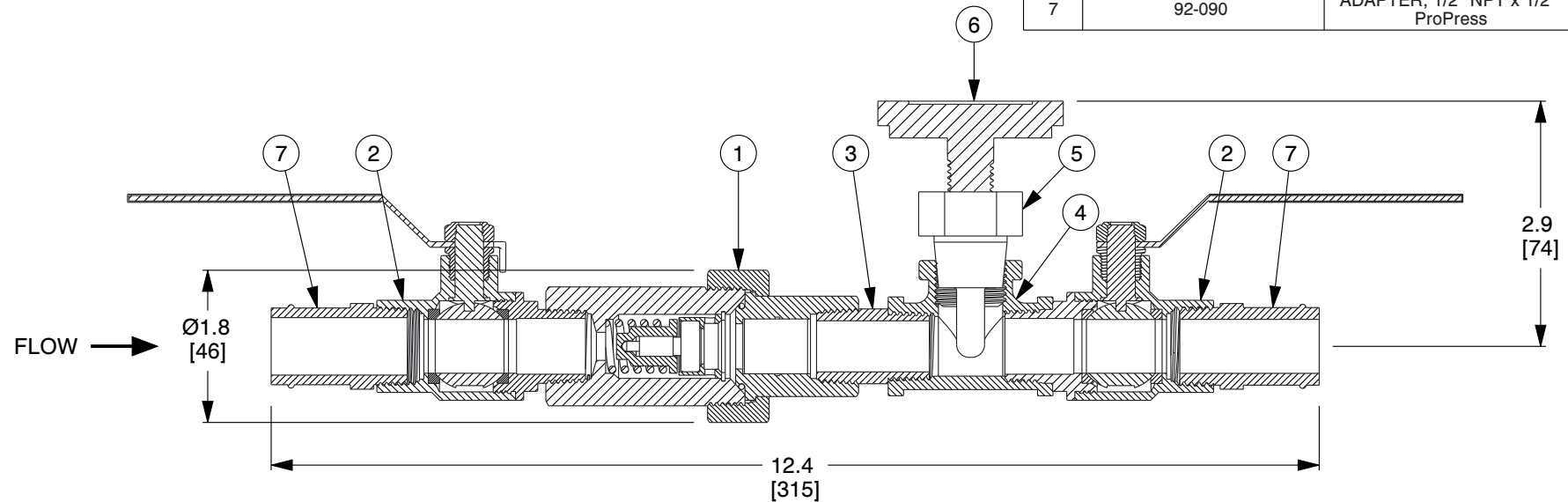
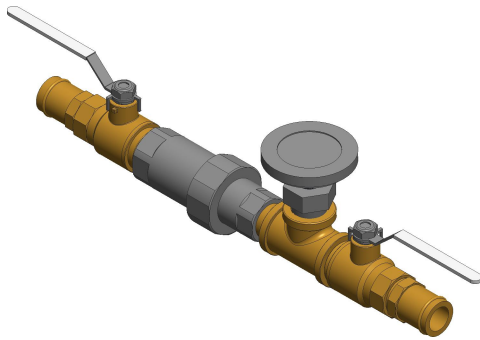
4

3

2

1

ITEM	PART NUMBER	DESCRIPTION	QTY.
1	258-20X100-XXX	1/2" CIRCUITSOLVER THERMOSTATIC BALANCING VALVE W/ INTEGRATED UNION	1
2	92-160	BALL VALVE, 1/2 Mx F, LF	2
3	92-162	1/2" X CL NIPPLE BRS LF	1
4	93-172	1/2" TEE	1
5	93-094	THERMOWELL	1
6	94-287	THERMOMETER	1
7	92-090	ADAPTER, 1/2" NPT x 1/2" ProPress	2

**NOTES:**

1. Cv: OPEN: 1.3, CLOSED: 0.2, DESIGN: 0.60.
2. WEIGHT: 3.3 Lbs (1.5 Kg).
3. MAXIMUM WORKING PRESSURE: 200 PSIG (14 BAR).
4. MAXIMUM WORKING TEMPERATURE: 250°F (121°C).
5. XXX REFERS TO THE DESIRED CLOSING TEMPERATURE IN °F.
6. ALL COMPONENTS ARE NSF/ANSI 61 AND NSF 372 CERTIFIED FOR USE IN DOMESTIC WATER SYSTEM.

COMPONENT	CircuitSolver Union Assembly with Thermometer & Viega ProPress Systems
------------------	--



ThermOmegaTech, Inc.
353 Ivyland Road
Warminster, PA 18974-2205, USA
Ph: 215-798-5978

This file and any associated information and specifications are provided for reference and evaluation purposes only, and is subject to change without notice. ThermOmegaTech makes no representations, warranties or guarantees as to the appropriateness, accuracy, completeness, or suitability for any purpose, of the file, information or specifications. You are solely responsible for the use of the file, information or specifications.

This drawing is the property of ThermOmegaTech. It contains confidential, proprietary information that is ThermOmegaTech property. Do not disclose to or duplicate for others except as authorized by ThermOmegaTech.

SCALE

NTS

CSUA-1/2-XXX-PP-TW

1/2" CSUA-PP WITH THERMOMETER

UNIT

INCH [MM]

SHEET

1 of 1

4

3

2

1