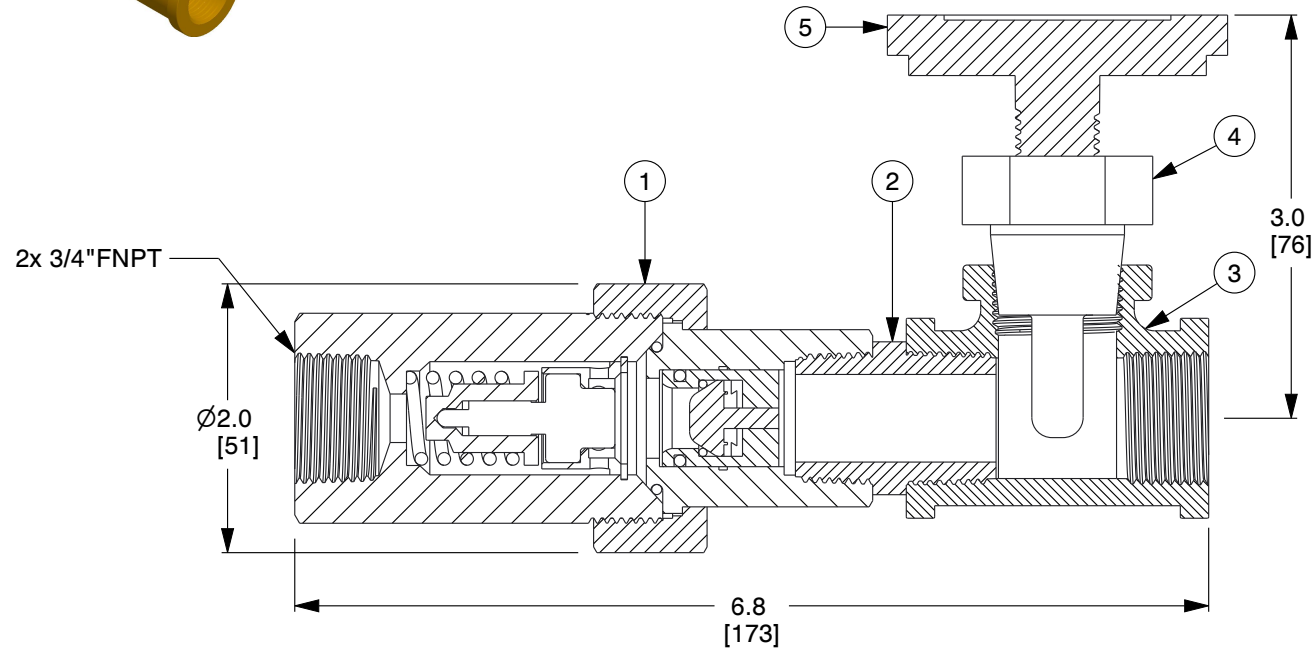


ITEM	PART NUMBER	DESCRIPTION
1	258-30X100-XXX	3/4" CIRCUITSOLVER THERMOSTATIC BALANCING VALVE W/INTEGRATED UNION
2	92-026	3/4" X CL NIPPLE BRS LF
3	93-173	3/4" X 1/2" TEE
4	93-094	THERMOWELL
5	94-287	THERMOMETER



NOTES:

1. Cv: OPEN: 1.8, CLOSED: 0.2, DESIGN: 0.85.
2. WEIGHT: 4.1 Lbs (1.9 Kg).
3. MAXIMUM WORKING PRESSURE: 200 PSIG (14 BAR).
4. MAXIMUM WORKING TEMPERATURE: 250°F (121°C).
5. ALL COMPONENTS ARE NSF/ANSI 61 OR NSF 372 CERTIFIED FOR DOMESTIC WATER SYSTEMS.

COMPONENT	CIRCUITSOLVER UNION (CSU) WITH THERMOMETER
------------------	--



ThermOmegaTech, Inc.
 353 Ivyland Road
 Warminster, PA 18974-2205, USA
 Ph: 215-798-5978

This file and any associated information and specifications are provided for reference and evaluation purposes only, and is subject to change without notice. ThermOmegaTech makes no representations, warranties or guarantees as to the appropriateness, accuracy, completeness, or suitability for any purpose, of the file, information or specifications. You are solely responsible for the use of the file, information or specifications.

This drawing is the property of ThermOmegaTech. It contains confidential, proprietary information that is ThermOmegaTech property. Do not disclose to or duplicate for others except as authorized by ThermOmegaTech.

SCALE NTS

CSU-3/4-XXX-TW

3/4" - CSU WITH THERMOMETER

UNIT	INCH [MM]
SHEET	1 of 1