

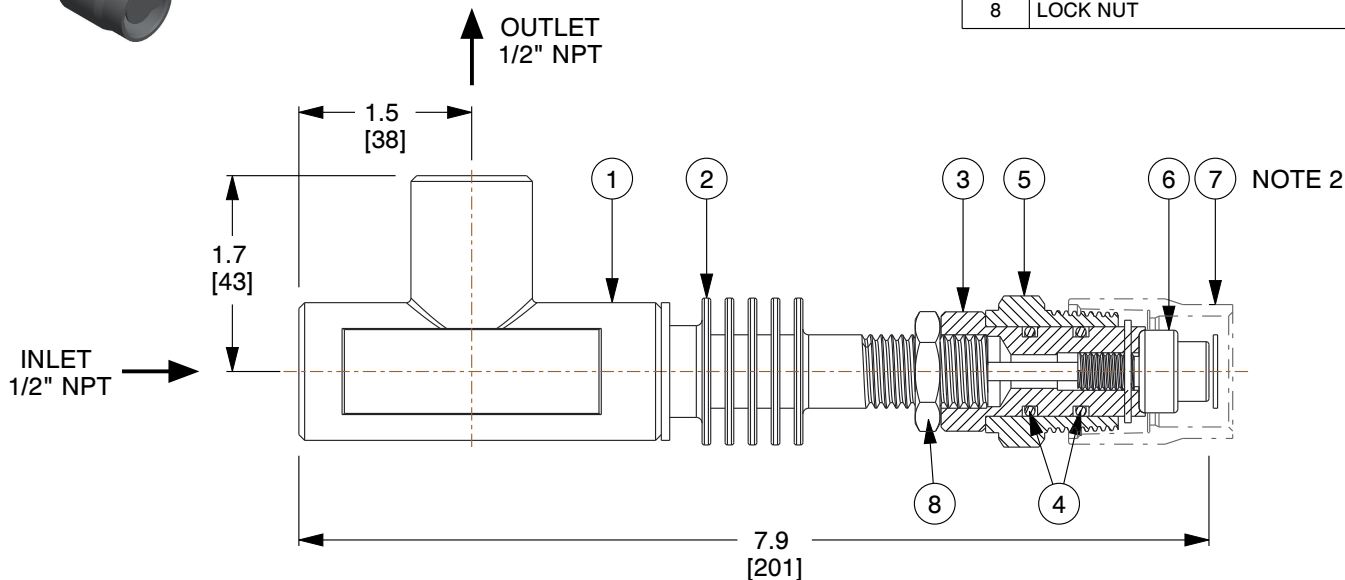
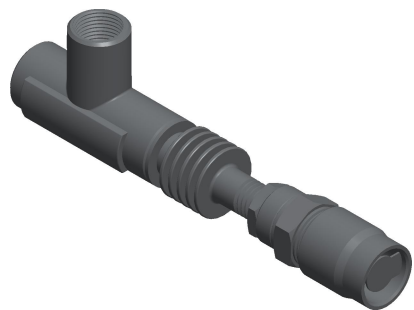
4

3

2

1

| ITEM | DESCRIPTION | MATERIAL |
|------|-----------------------------|---------------|
| 1 | VALVE BODY | CF8M (316 SS) |
| 2 | YOKE | 300 Series SS |
| 3 | ADAPTER | 300 Series SS |
| 4 | BUSHING SEALS | See Note #3 |
| 5 | 3/4" NPT BUSHING | 300 Series SS |
| 6 | THERMAL ACTUATOR | 300 Series SS |
| 7 | OPTIONAL BAND-O-LET FITTING | 300 Series SS |
| 8 | LOCK NUT | 300 Series SS |



NOTES:

1. FULL OPEN TEMPERATURE "XXX" AVAILABLE:
 - A. X SERIES: 035°F, 040°F, 050°F, 055°F, 060°F, 065°F, 075°F, 085°F, 090°F, 095°F, 100°F, 105°F, 110°F, 125°F, 130°F, 140°F, 150°F, 155°F, 160°F, 170°F, 180°F, 190°F, AND 200°F.
 - B. NOTE: CLOSING TEMPERATURE IS TYPICALLY 10°F ABOVE OPENING TEMPERATURE.
2. BAND-O-LET FITTING OPTIONAL (HOSE CLAMP NOT INCLUDED), FOR SENSING PIPE OD TEMPERATURES.
3. BUNA IS STANDARD; VITON, EPDM, AND KALREZ ARE AVAILABLE. CONSULT OUR ENGINEERS FOR ORDERING INFORMATION.
4. A #20 MESH STRAINER IS RECOMMENDED.

| | |
|-----------|---|
| COMPONENT | SURFACE SENSING TEMPERATURE CONTROL VALVE |
|-----------|---|



ThermOmegaTech, Inc.
353 Ivyland Road
Warminster, PA 18974-2205, USA
Ph: 215-798-5978

This file and any associated information and specifications are provided for reference and evaluation purposes only, and is subject to change without notice. ThermOmegaTech makes no representations, warranties or guarantees as to the appropriateness, accuracy, completeness, or suitability for any purpose, of the file, information or specifications. You are solely responsible for the use of the file, information or specifications.

This drawing is the property of ThermOmegaTech. It contains confidential, proprietary information that is ThermOmegaTech property. Do not disclose to or duplicate for others except as authorized by ThermOmegaTech.

SCALE

NTS

654-010X00-XXX

1/2" US/S-X-S-BAND

UNIT

INCH [MM]

SHEET

1 of 1

4

3

2

1