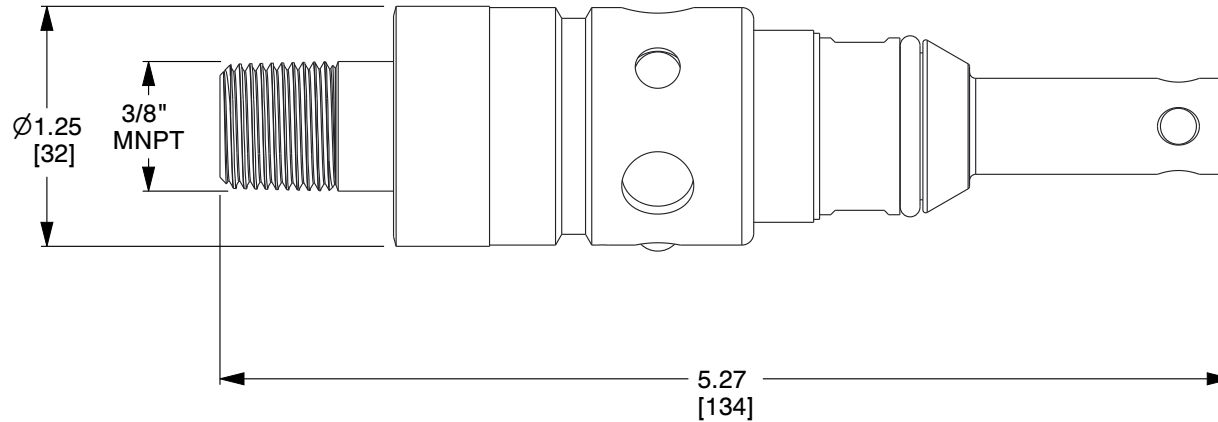


4

3

2

1

**NOTES:**

1. INSERTS INTO ANY GURU CH OR CHS BODY.
2. CLEAR COMPRESSOR HEADS OF DIRT AND FOREIGN MATTER.
3. PROTECTS COOLING JACKET FROM BLOCKAGE.
4. CONNECTS TO ANY WATER SOURCE FOR CLEANING.
5. COMPLETELY MECHANICAL - NO ELECTRICAL OR AIR CONNECTIONS REQUIRED.
6. SELF OPERATING, NO POWER OR SIGNAL REQUIRED.
7. EASY MAINTENANCE & FIELD TESTABILITY.

COMPONENT		WATER-COOLED COMPRESSOR HEAD FREEZE PROTECTION	
		UNIT	
		INCH [MM]	
		SHEET	
		1 of 1	
		484-04-84-CHCT	
		COMPRESSOR HEAD CLEANING TOOL	
SCALE	NTS		



ThermOmegaTech, Inc.
353 Ivyland Road
Warminster, PA 18974-2205, USA
Ph: 215-798-5978

This file and any associated information and specifications are provided for reference and evaluation purposes only, and is subject to change without notice. ThermOmegaTech makes no representations, warranties or guarantees as to the appropriateness, accuracy, completeness, or suitability for any purpose, of the file, information or specifications. You are solely responsible for the use of the file, information or specifications.

This drawing is the property of ThermOmegaTech. It contains confidential, proprietary information that is ThermOmegaTech property. Do not disclose to or duplicate for others except as authorized by ThermOmegaTech.

4

3

2

1