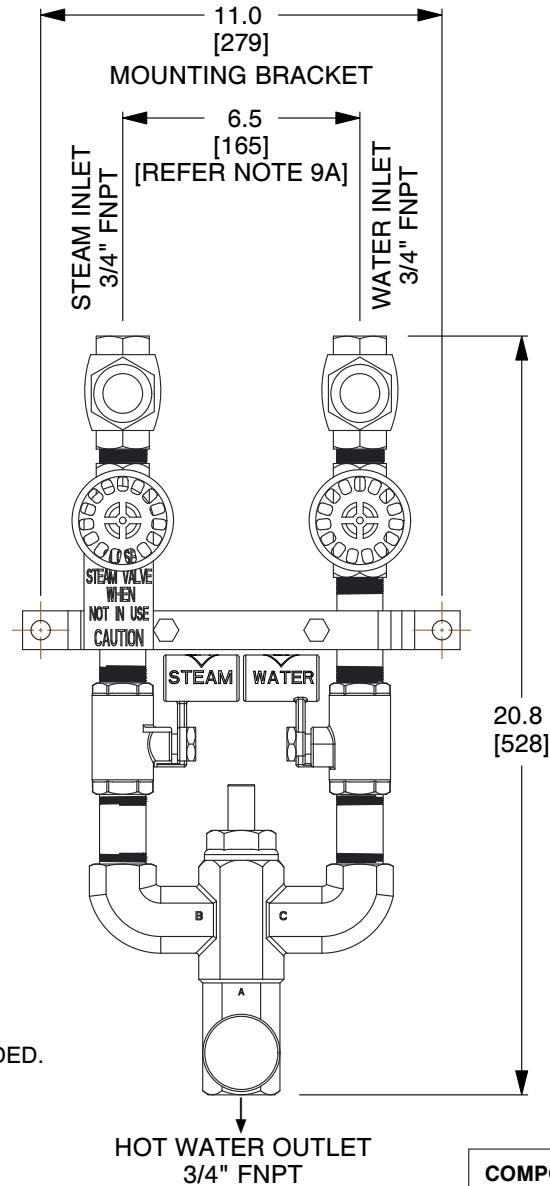
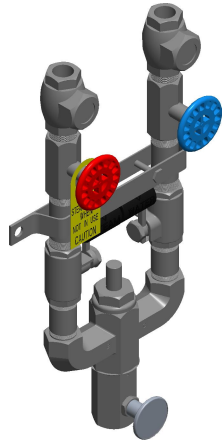


4

3

2

1

**NOTES:**

1. CONTINUES TO OPERATE WHEN CONVENTIONAL UNITS STOP WORKING.
  2. EASY TO SIZE - ONE SIZE FITS ALL PRESSURE RANGES.
  3. MIXES STEAM AND HOT WATER EFFICIENTLY AND QUIETLY.
  4. RESISTANT TO THE EFFECTS OF MINERAL BUILDUP AND SCALING.
  5. THROTTLES STEAM SUPPLY WHEN TEMPERATURE SET-POINT IS EXCEEDED.
  6. SHUTS DOWN STEAM SUPPLY IF WATER SUPPLY FAILS.
  7. QUICK AND EASY TO CLEAN REQUIRING NO SPECIAL TOOLS.
  8. 150°F (65.6°C) CARTRIDGE IS PROVIDED.
  9. READILY ADAPTS TO EXISTING PIPE CONFIGURATIONS.
- A. ADAPTORS AVAILABLE FOR 6.0" SPACING.

COMPONENT	STVM WASHDOWN STATION	
377-111100-150	UNIT	
	INCH [MM]	
	SHEET	
¾" (19mm) TOT (150°F (65.6°C)) Stainless Steel Washdown Station		
SCALE	NTS	
1 of 1		



ThermOmegaTech, Inc.  
353 Ivyland Road  
Warminster, PA 18974-2205, USA  
Ph: 215-798-5978

This file and any associated information and specifications are provided for reference and evaluation purposes only, and is subject to change without notice. ThermOmegaTech makes no representations, warranties or guarantees as to the appropriateness, accuracy, completeness, or suitability for any purpose, of the file, information or specifications. You are solely responsible for the use of the file, information or specifications.

This drawing is the property of ThermOmegaTech. It contains confidential, proprietary information that is ThermOmegaTech property. Do not disclose to or duplicate for others except as authorized by ThermOmegaTech.

SCALE

NTS

4

3

2

1