

4

3

2

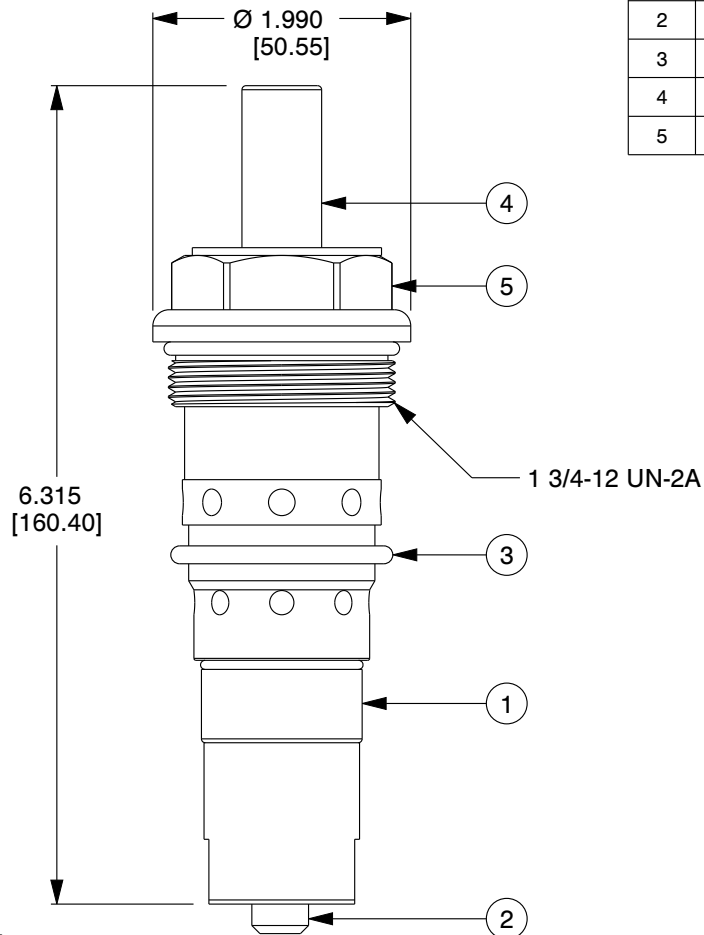
1



B

B

ITEM	DESCRIPTION	MATERIAL
1	CARTRIDGE BODY	Brass
2	THERMAL ACTUATOR	Brass
3	O-RING	EPDM
4	TOP COVER	Brass
5	CAP	Brass

**NOTES:**

1. ALL SEALS SHOULD BE COATED WITH A LUBRICANT SUCH AS KRYTOX OR OTHER EPDM COMPATIBLE TYPE.
2. ENSURE THAT THE CAP SEAL AND EXTERNAL VORTEX SEAL ARE PRESENT ON THE NEW CARTRIDGE.
3. REMOVE THE VALVE BODY SEAL VIA USE OF A POINTED TOOL SUCH AS AN O-RING SEAL PICK.
4. REPLACEMENT CARTRIDGE ASSEMBLIES CAN BE PURCHASED FROM THERMOMEGATECH.
5. "XXX" REFERS TO TEMPERATURE 150°F (65.5°C) OR 185°F (85°C).

A

A

COMPONENT	STVM CARTRIDGE ASSEMBLY
-----------	-------------------------



ThermOmegaTech, Inc.  
353 Ivyland Road  
Warminster, PA 18974-2205, USA  
Ph: 215-798-5978

This file and any associated information and specifications are provided for reference and evaluation purposes only, and is subject to change without notice. ThermOmegaTech makes no representations, warranties or guarantees as to the appropriateness, accuracy, completeness, or suitability for any purpose, of the file, information or specifications. You are solely responsible for the use of the file, information or specifications.

This drawing is the property of ThermOmegaTech. It contains confidential, proprietary information that is ThermOmegaTech property. Do not disclose to or duplicate for others except as authorized by ThermOmegaTech.

SCALE

NTS

374-010000-XXX

1" STVM CARTRIDGE ASSEMBLY

UNIT

INCH [MM]

SHEET

1 of 1

4

3

2

1