

4

3

2

1

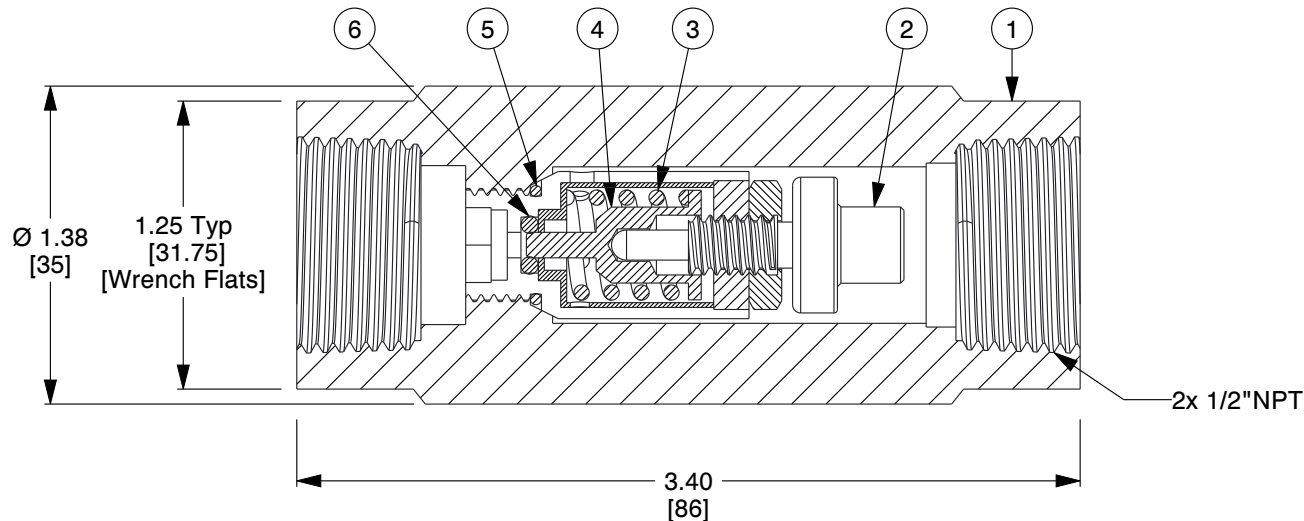


| ITEM | DESCRIPTION | MATERIAL |
|------|------------------|---------------|
| 1 | VALVE BODY | 300 Series SS |
| 2 | THERMAL ACTUATOR | 300 Series SS |
| 3 | OPERATING SPRING | 300 Series SS |
| 4 | RAM-TYPE PLUG | 300 Series SS |
| 5 | ENGINE SEAL | NOTE 6 |
| 6 | SEAT RING SEAL | PTFE |

B

FLOW →

B

**NOTES:**

1. FLOW $C_v = 0.075$.
2. VALVE MATERIAL:
SS - 303 STAINLESS STEEL.
S6 - DUAL GRADE 316/316L STAINLESS STEEL.
3. AVAILABLE IN SPECIAL MATERIALS EG. MONEL, INCONEL, DUPLEX STAINLESS STEEL, ETC...
4. BODY RATING: 3000 PSIG AT 600°F.
5. FULL OPEN TEMPERATURES "XXX" AVAILABLE: 100°F, 105°F, 115°F, 120°F, 125°F, 130°F, 140°F, 170°F, 185°F.
OTHER TEMPERATURES ARE AVAILABLE.
6. SEAL MATERIAL COMPATIBILITY:
E - EPDM - AIR, WATER, STEAM, KETONES AND SYNTHETIC HYDRAULIC OILS.
V - VITON® - AIR, FUEL, OIL, GAS AND PETROLEUM BASED HYDRAULIC OILS.
K - KALREZ® - SPECIAL ORDER OPTION.

A

A

| COMPONENT | IN-LINE HIGH SAMPLE TEMPERATURE VALVE | UNIT |
|-----------|---------------------------------------|----------|
| | | INCH[MM] |
| | | SHEET |
| | | 1 of 1 |

254-110000-XXX

1/2" HST-XXX-S6-E



ThermOmegaTech, Inc.
353 Ivyland Road
Warminster, PA 18974-2205, USA
Ph: 215-798-5978

This file and any associated information and specifications are provided for reference and evaluation purposes only, and is subject to change without notice. ThermOmegaTech makes no representations, warranties or guarantees as to the appropriateness, accuracy, completeness, or suitability for any purpose, of the file, information or specifications. You are solely responsible for the use of the file, information or specifications.

This drawing is the property of ThermOmegaTech. It contains confidential, proprietary information that is ThermOmegaTech property. Do not disclose to or duplicate for others except as authorized by ThermOmegaTech.

SCALE

NTS

4

3

2

1